

**Model: A-186
Bolt Seal**

ISO 17712 Certificated and CTPAT Compliance
Premium snap bolt seal

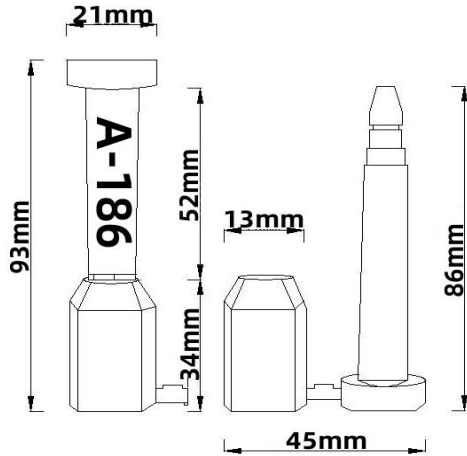
Available as...

STANDARD ITEM FROM STOCK:

Pre-Printed / Pre-Numbered

CUSTOM ORDERED ITEM

Printed, Numbered, All Colors, Bar/QR Code



DESCRIPTION:

The single-use security seals have a bolt that passes through a container or door latch on cargo freight, rail cars, and shipping containers and a cap that snaps on to lock it. Also known as disposable padlocks, these seals require a tool, such as bolt cutter, to remove them.

PRODUCT SIZE:

Pin: 10.5 mm diameter and 86mm length

Cap: 20.5mm diameter and 34 mm length

MATERIAL:

Pin : Galvanized Carbon Steel covered with plastic

Cap: ABS plastic covered the metal locking parts

PRINTING: Laser printing

customized name & logo, serial numbers, barcode/
QR code

COLOR: Red/Orange/Yellow/ Green/ Blue/White
Customized color

PACKING: 10pcs/blister box , 250pcs/carton

CARTON DIMENSION: 54 x 30 x 13cm

G.W. PER CARTON: 21.0kg

APPLICATION: Shipping containers , Truck trailers,
Containers, Doors, Instruments & Meters,Etc.

ADVANTAGES:

- Shaft and cap are connected for easy storage and placement.
- Support lasering customer company name, serial number and barcode.
- Lasering marking offers a very high level of security. It can't be erased.



Asialock Seal

Shanghai Asialock Security Seals Co., Ltd

Manufacture & Trading Combo

www.asialockseal.com

E-mail: info@asialockseal.com

Room 1425, No.2025 West Zhongshan Road, Xuhui
District, 200235, Shanghai, China